



SUMMIT TRACTORS

Parts Catalogue

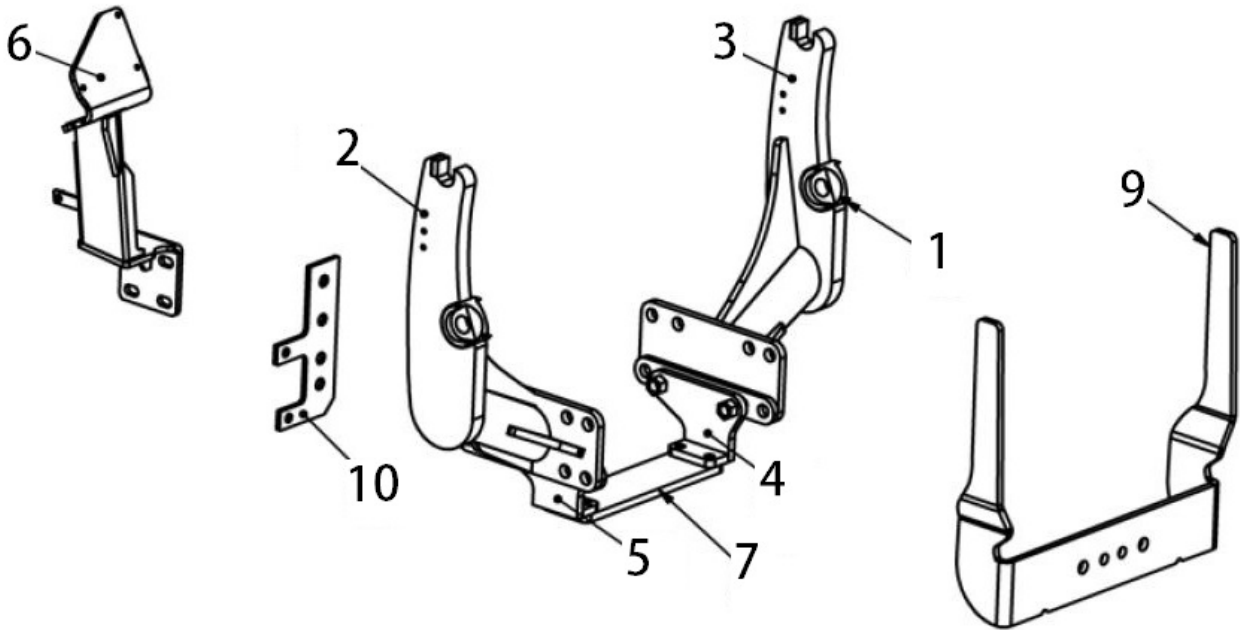
SUMMIT LX85 FRONT END LOADER



PARTS CATALOGUE INDEX

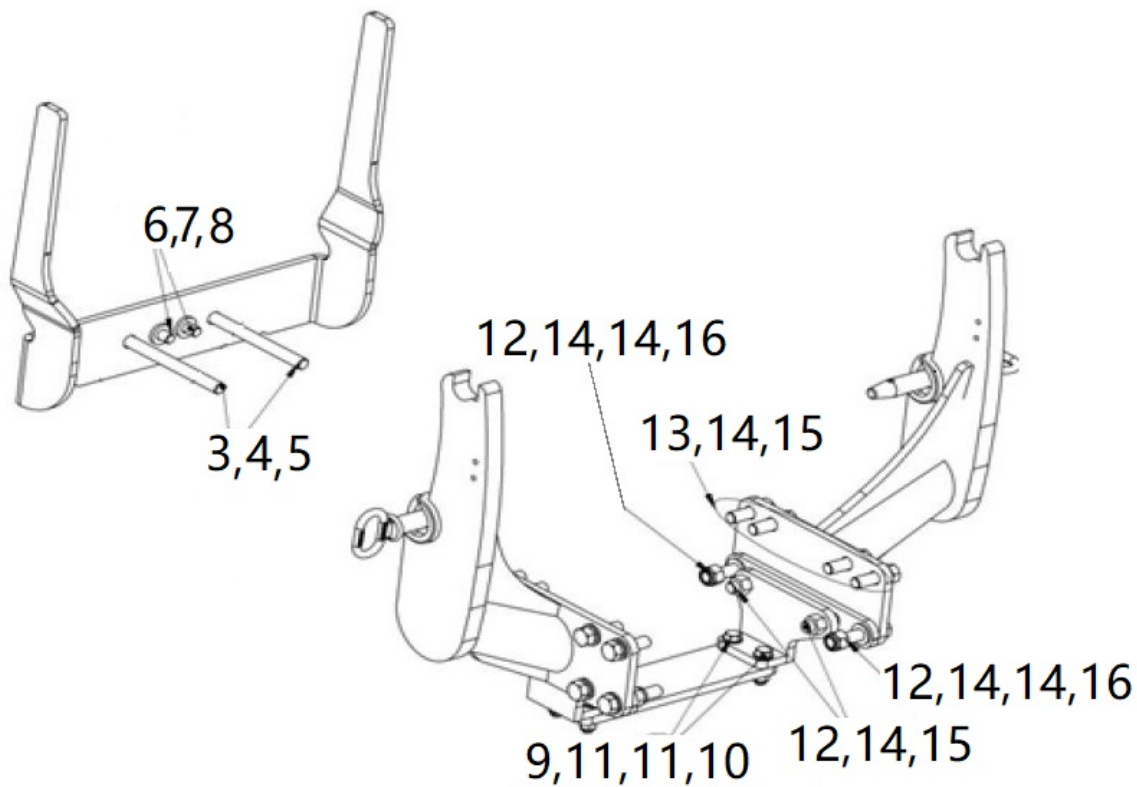
Sr.	Sub Chapter	Description	Model
1	01110A-1-1	SUBFRAME PARTS DETAILS	LX85 FRONT END LOADER
2	01120A-1-1	HARDWARE PARTS DETAILS	LX85 FRONT END LOADER
3	02110A-1-1	HYDRAULIC FITTING CONNECTIONS	LX85 FRONT END LOADER
4	02120A-1-1	HYDRAULIC FITTING CONNECTIONS	LX85 FRONT END LOADER
5	02130A-1-1	HYDRAULIC FITTING CONNECTIONS	LX85 FRONT END LOADER
6	02140A-1-1	HYDRAULIC FITTING CONNECTIONS	LX85 FRONT END LOADER
7	02150A-1-1	HYDRAULIC FITTING CONNECTIONS	LX85 FRONT END LOADER
8	02160A-1-1	HYDRAULIC FITTING CONNECTIONS	LX85 FRONT END LOADER
9	03110A-1-1	JOYSTICK WITH WIRING HARNESS	LX85 FRONT END LOADER
10	04110A-1-1	LOADER REAR RH	LX85 FRONT END LOADER
11	04120A-1-1	LOADER REAR LH	LX85 FRONT END LOADER
12	05110A-1-1	LOADER FRONT RH	LX85 FRONT END LOADER
13	05120A-1-1	LOADER FRONT LH	LX85 FRONT END LOADER
14	06110A-1-1	HYDRAULIC PIPE FITTINGS & CLAMPS	LX85 FRONT END LOADER
15	07110A-1-1	HYDRAULIC HOSE AND ADAPTORS	LX85 FRONT END LOADER

Sr.	Sub Chapter	Description	Model
16	08110A-1-1	THIRD FUNCTION DIVERTER VALVE	LX85 FRONT END LOADER
17	09110A-1-1	SKID STEER HITCH	LX85 FRONT END LOADER
18	10110A-1-1	DCV PARTS DETAILS	LX85 FRONT END LOADER
19	11110A-1-1	SKID STEER BUCKET	LX85 FRONT END LOADER
20	12110A-1-1	COUNTER WEIGHT BOX	LX85 FRONT END LOADER
21	13110A-1-1	LOADER DETAILS	LX85 FRONT END LOADER



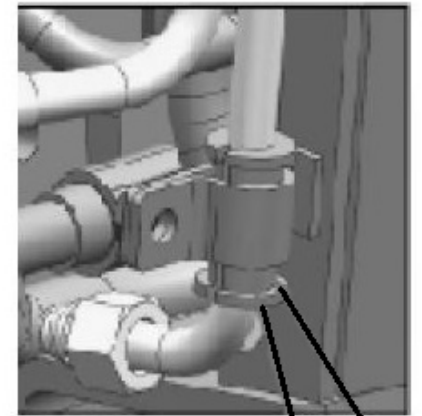
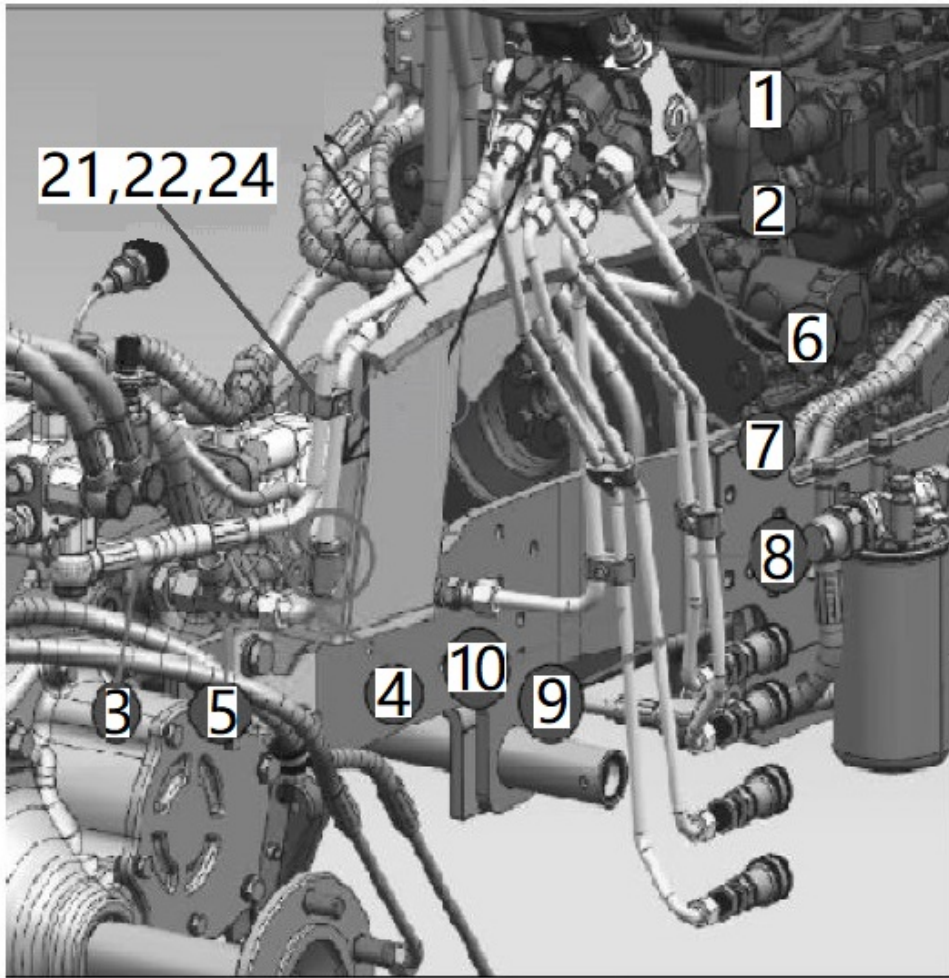
Sr.	Model	Item Code	Description	Qty	Int.	Remarks	Cut Off
1	ALL MODELS	S1130600474	GREASE NIPPLE	2			
2	ALL MODELS	S1130602689	RH SUBFRAME (Harvest Green)	1			
3	ALL MODELS	S1130602690	LH SUBFRAME (Harvest Green)	1			
4	ALL MODELS	S1130602691	LH CROSS MEMBER MTG (Harvest Green)	1			
5	ALL MODELS	S1130602692	RH CROSS MEMBER MTG (Harvest Green)	1			
6	ALL MODELS	S1130602226	DCV MOUNTING BRACKET (Glossy Black)	1			
7	ALL MODELS	S1130602687	CROSS MEMBER (Harvest Green)	1			
8	ALL MODELS	S1130602688	MID MOVER PLT (Harvest Green)	2		NOT SHOWN	

Sr.	Model	Item Code	Description	Qty	Int.	Remarks	Cut Off
9	ALL MODELS	S1130600540	RAMSHORN (Harvest Green)	1			
10	ALL MODELS	S1130602228	PLATE FOR DCV PIPES MTG (Glossy Black)	1			

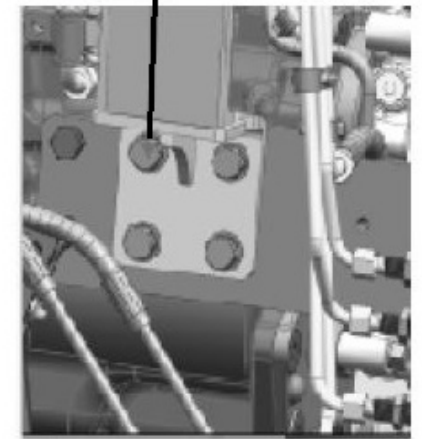


Sr.	Model	Item Code	Description	Qty	Int.	Remarks	Cut Off
3	ALL MODELS	S1130602283	HEX,BOLT,M16X2X180 SEMI THREAD	2			
4	ALL MODELS	S1130600547	PLAIN WASHER M16	2			
5	ALL MODELS	S1130600548	SPRING WAHSER M16	2			
6	ALL MODELS	S1130602284	HEX,BOLT,M14X2X40 SEMI THREAD	2			
7	ALL MODELS	S1130600550	PLAIN WASHER M14	2			
8	ALL MODELS	S1130600551	SPRING WAHSER M14	2			
9	ALL MODELS	S1130602678	HEX,BOLT,M12X1.75X45 SEMI THREAD	4			
10	ALL MODELS	S1130600563	NYLOC NUT M12	4			
11	ALL MODELS	S1130600559	PLAIN WASHER M12	8			

Sr.	Model	Item Code	Description	Qty	Int.	Remarks	Cut Off
12	ALL MODELS	S1130600735	HEX,BOLT,M16X2X75 SEMI THREAD,	8			
13	ALL MODELS	S1130602693	HEX,BOLT,M16X2X50 SEMI THREAD	8			
14	ALL MODELS	S1130600547	PLAIN WASHER M16	20			
15	ALL MODELS	S1130600548	SPRING WAHSER M16	12			
16	ALL MODELS	S1130600733	NYLOC NUT M16X2	4			



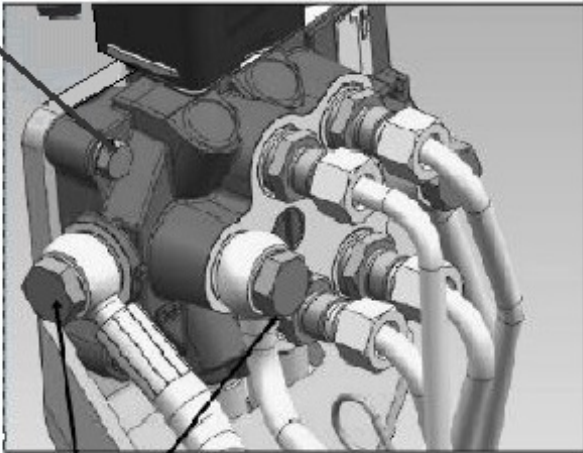
11,12,13 33,34



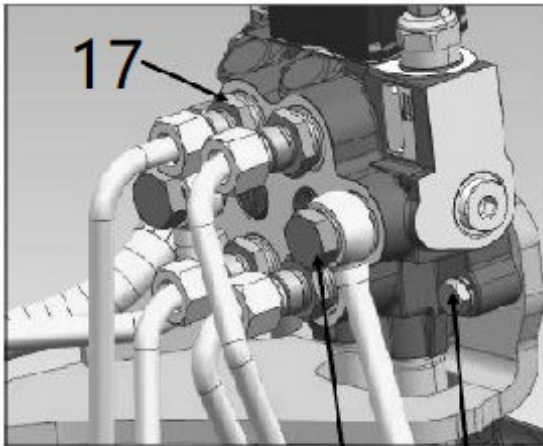
Sr.	Model	Item Code	Description	Qty	Int.	Remarks	Cut Off
1	ALL MODELS	S1130603272	Loder DCV with Float Option	1			
2	ALL MODELS	S1130602226	DCV MOUNTING BRACKET (Glossy Black)	1			
3	ALL MODELS	S1130602225	PIPE FROM 2DA DCV(HPCO) TO 1DA DCV (P)	1			
4	ALL MODELS	S1130602227	FLEXIBLE PIPE FROM LOADER DCV (T) TO REAR	1			
5	ALL MODELS	S1130602231	TEE ADOPTER- M18x1.5, M18x1.5, M24x1.5	1			
6	ALL MODELS	S1130602230	SECONDARY PIPE PRIORITY VALVE TO 2DA DCV	1			
7	ALL MODELS	S1130602233	PIPE FROM 2DA DCV (B1) TO QRC 2	1			
8	ALL MODELS	S1130602236	PIPE FROM 2DA DCV (A1) TO QRC 1	1			

Sr.	Model	Item Code	Description	Qty	Int.	Remarks	Cut Off
9	ALL MODELS	S1130602234	PIPE FROM 2DA DCV (A2) TO QRC 3	1			
10	ALL MODELS	S1130602235	PIPE FROM 2DA DCV (B2) TO QRC 4	1			
11	ALL MODELS	S1130602249	HEX BOLT M14X2X50 SA4GS	4			
12	ALL MODELS	S1130602258	SPRING WASHER B-14	4			
13	ALL MODELS	S1130600550	PLAIN WASHER M14	4			
21	ALL MODELS	S1130602255	HEX SCREW M6X30 SA4GS	4			
22	ALL MODELS	S1130602224	HEX NUT M6 -8 SA4GS	4			
24	ALL MODELS	S1130602240	CLAMP-12/12	1			
33	ALL MODELS	S1130602245	VIBRATION DAMPER	1			
34	ALL MODELS	S1130602237	CLAMP CURVE	1			

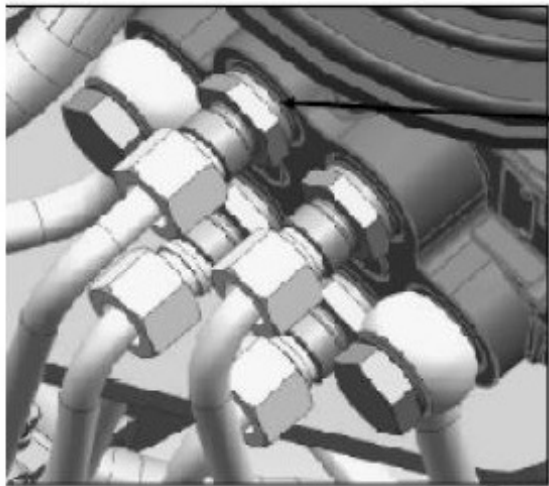
14,15



16

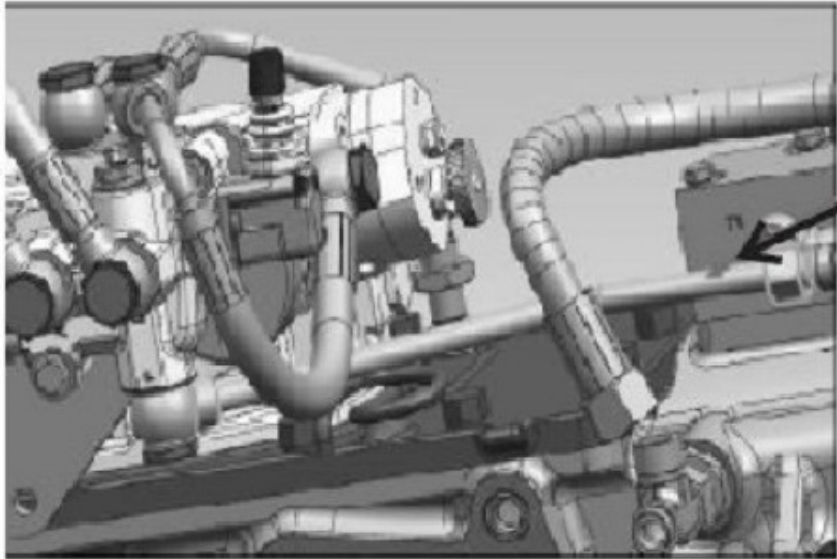
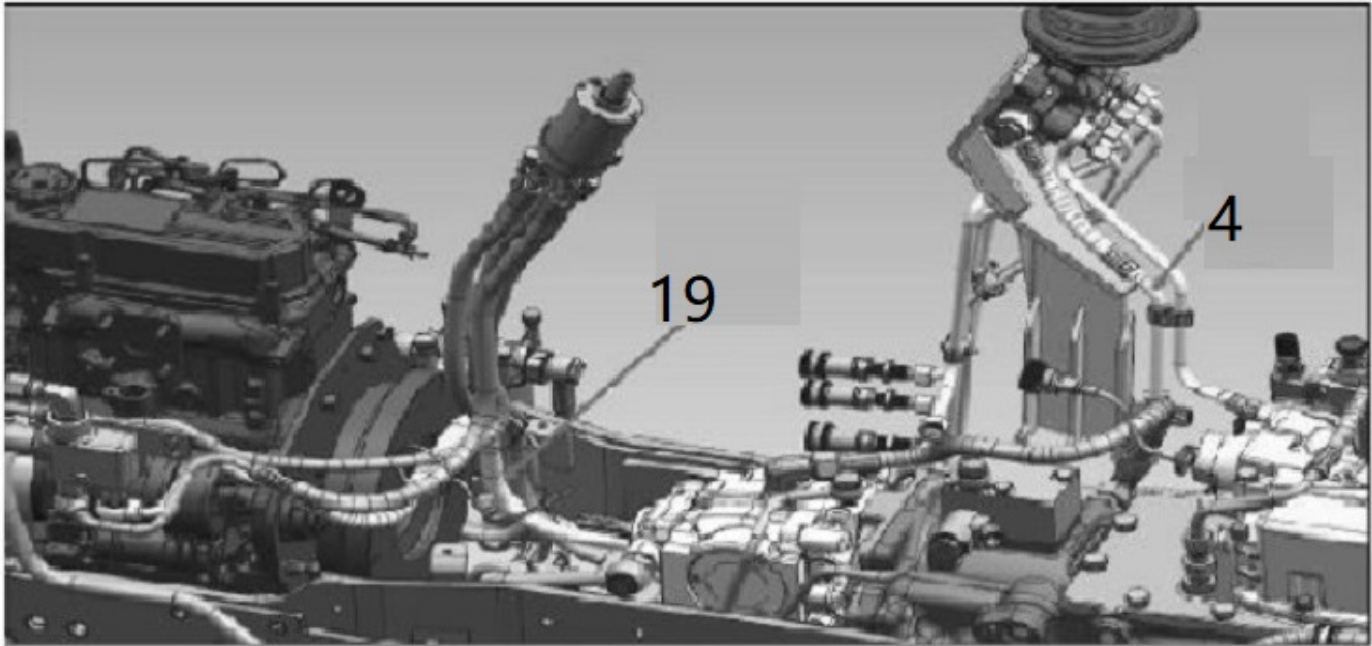


16 14,15

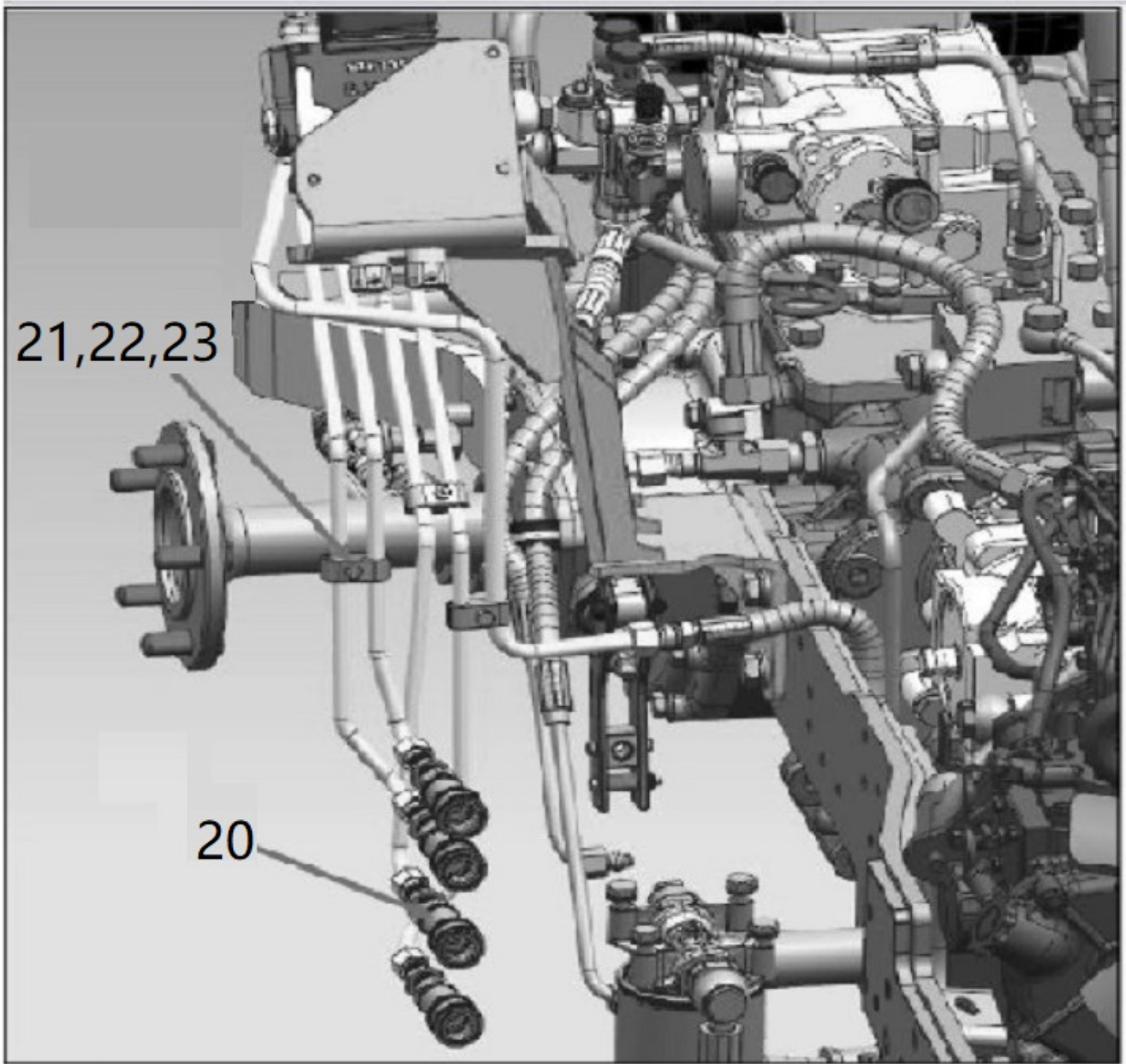


18

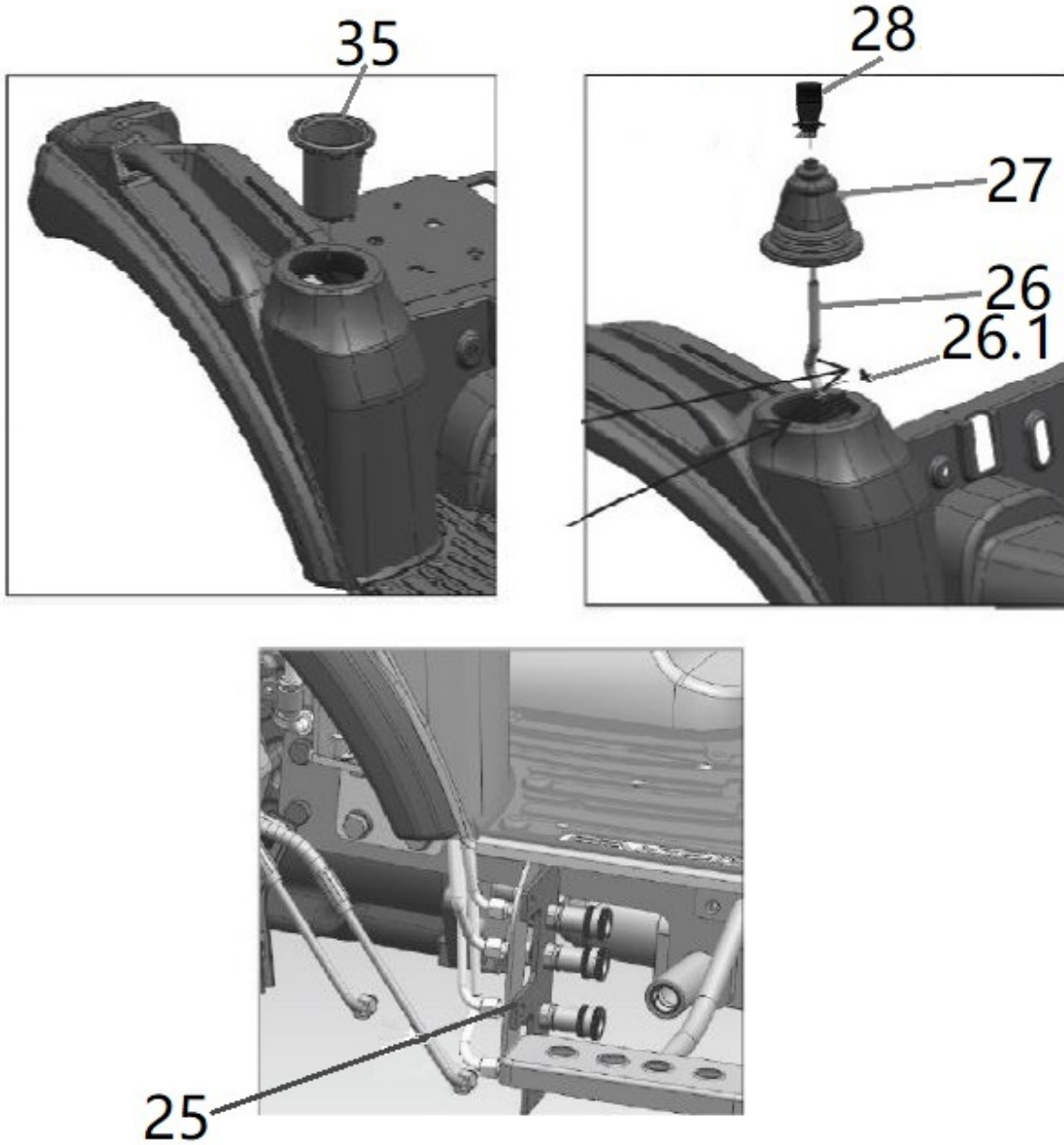
Sr.	Model	Item Code	Description	Qty	Int.	Remarks	Cut Off
14	ALL MODELS	S1130602257	HEX SCREW M8X1.25X35 8.8 SA4GS	3			
15	ALL MODELS	S1130600687	SPRING WASHER M8	3			
16	ALL MODELS	S1130602252	BANJO BOLT Ø16.4(19TPI)	3			
17	ALL MODELS	S1130602238	ADOPTER M18X1.5-3/8" BSP	4			
18	ALL MODELS	S1130602253	BONDED SEAL FOR3/8" BSP	10			



Sr.	Model	Item Code	Description	Qty	Int.	Remarks	Cut Off
3	ALL MODELS	S1130602225	PIPE FROM 2DA DCV(HPCO) TO 1DA DCV (P)	1			
4	ALL MODELS	S1130602227	FLEXIBLE PIPE FROM LOADER DCV (T) TO REAR	1			
19	ALL MODELS	S1130602686	PRIMARY PIPE FROM PRIORITY VALVE TO 2DA DCV	1			

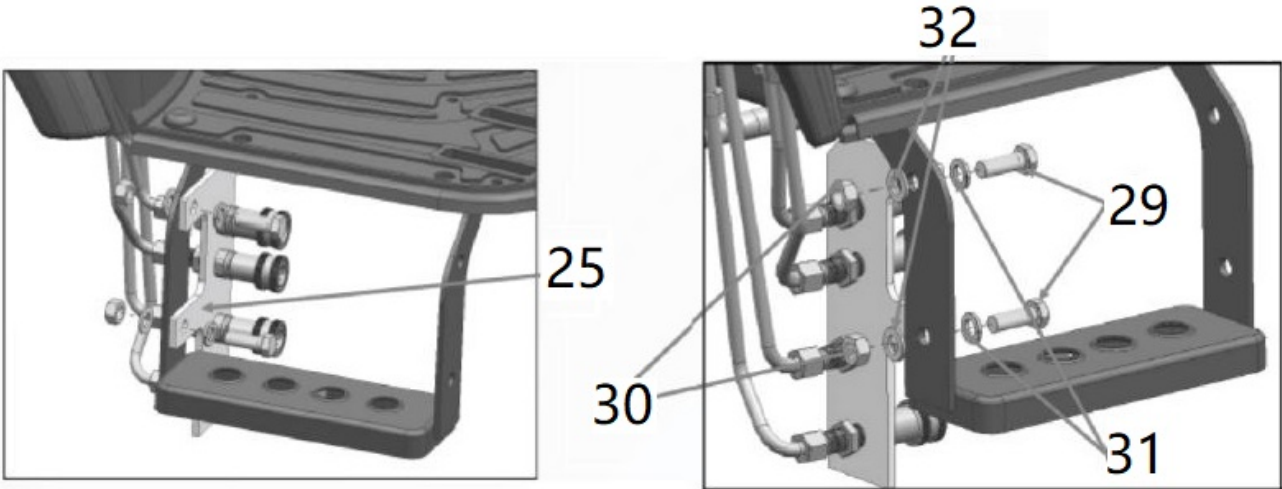


Sr.	Model	Item Code	Description	Qty	Int.	Remarks	Cut Off
20	ALL MODELS	S1130602243	FEMALE QUICK CONNECT COUPLER 3/8" BSP	4			
21	ALL MODELS	S1130602255	HEX SCREW M6X30 SA4GS	4			
22	ALL MODELS	S1130602224	HEX NUT M6 -8 SA4GS	4			
23	ALL MODELS	S1130602241	CLAMP-10/10	3			

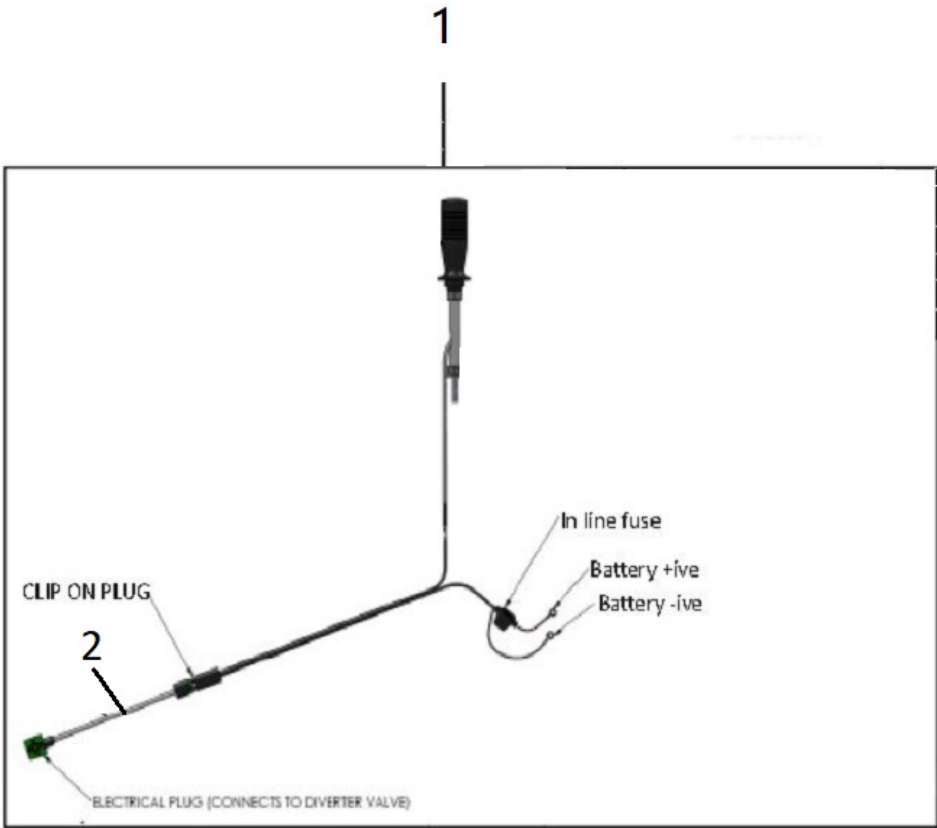


25

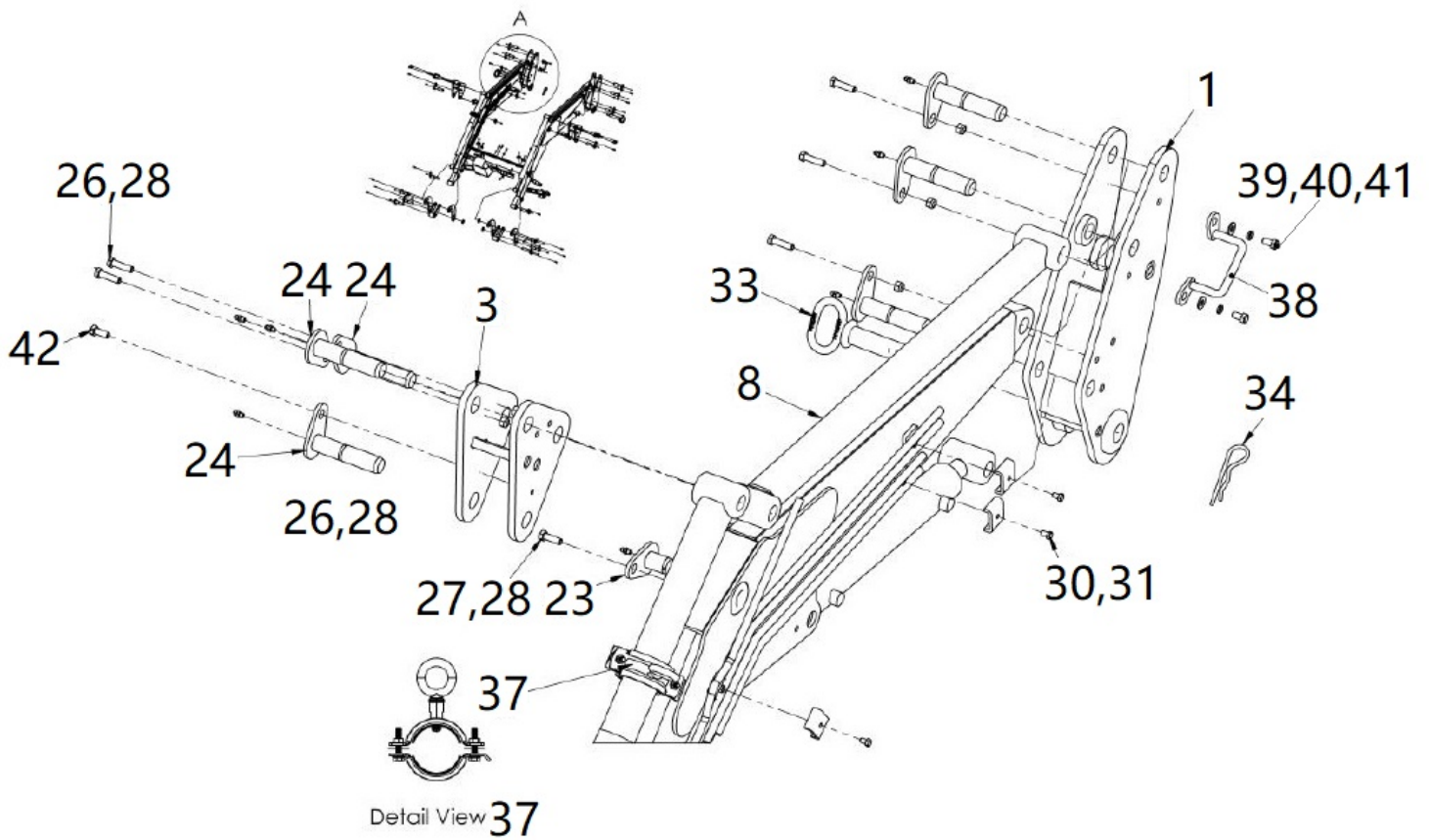
Sr.	Model	Item Code	Description	Qty	Int.	Remarks	Cut Off
28	ALL MODELS	S1130600524	HST IVT PUSH BUTTON KNOB	1			
35	ALL MODELS	S1130602683	CUP HOLDER_RH-HST	1			
25	ALL MODELS	S1130602228	PLATE FOR DCV PIPES MTG (Glossy Black)	1			
26	ALL MODELS	S1130602222	JOY STICK LEVER	1			
26.1	ALL MODELS	S1130602684	(Male M10x1.5 VS MALE M12 X 1.75) Bucher valve to Joystick lever adaptor for push button joystick only	1			
27	ALL MODELS	S1130602229	JOY STICK BELLOW	1			



Sr.	Model	Item Code	Description	Qty	Int.	Remarks	Cut Off
25	ALL MODELS	S1130602228	PLATE FOR DCV PIPES MTG (Glossy Black)	1			
29	ALL MODELS	S1130602251	HEX SCREW M12*1.75*35	2			
30	ALL MODELS	S1130602260	HEX NUT M12X1.75 -8 SA4GS	2			
31	ALL MODELS	S1130602259	SPRING WASHER B-12 TYPE-A IS: 3063-1972	2			
32	ALL MODELS	S1130602244	M/C WASHER DIA 13*DIA 24*2.5	2			

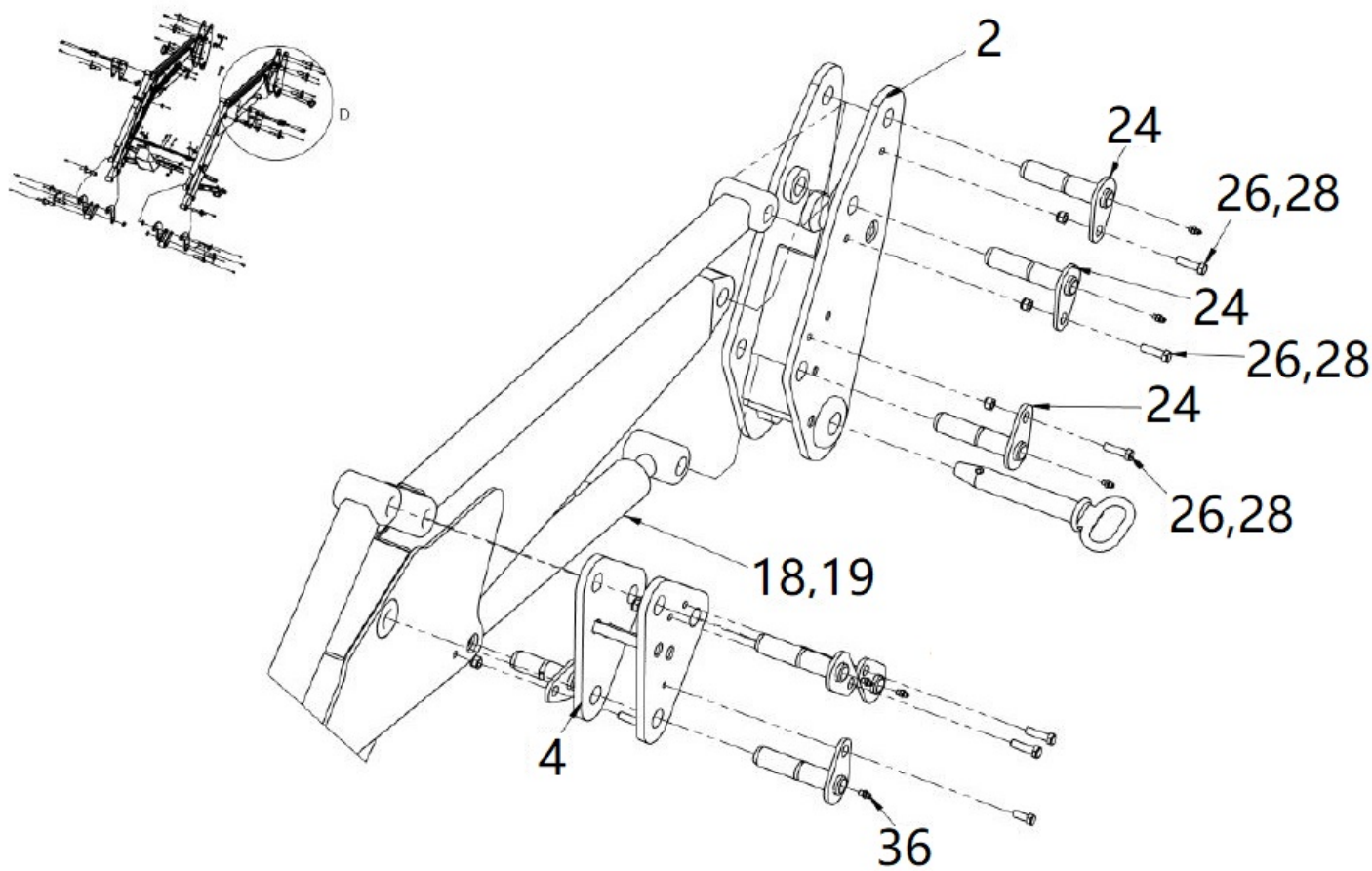


Sr.	Model	Item Code	Description	Qty	Int.	Remarks	Cut Off
1	ALL MODELS	S1130602959	WIRE HARNESS CONNECTION TO BATTERY FOR S	1			
2	ALL MODELS	S1130601210	WIRING HARNESS LOADER SIDE(DIVERTER CONNECTION)	1			

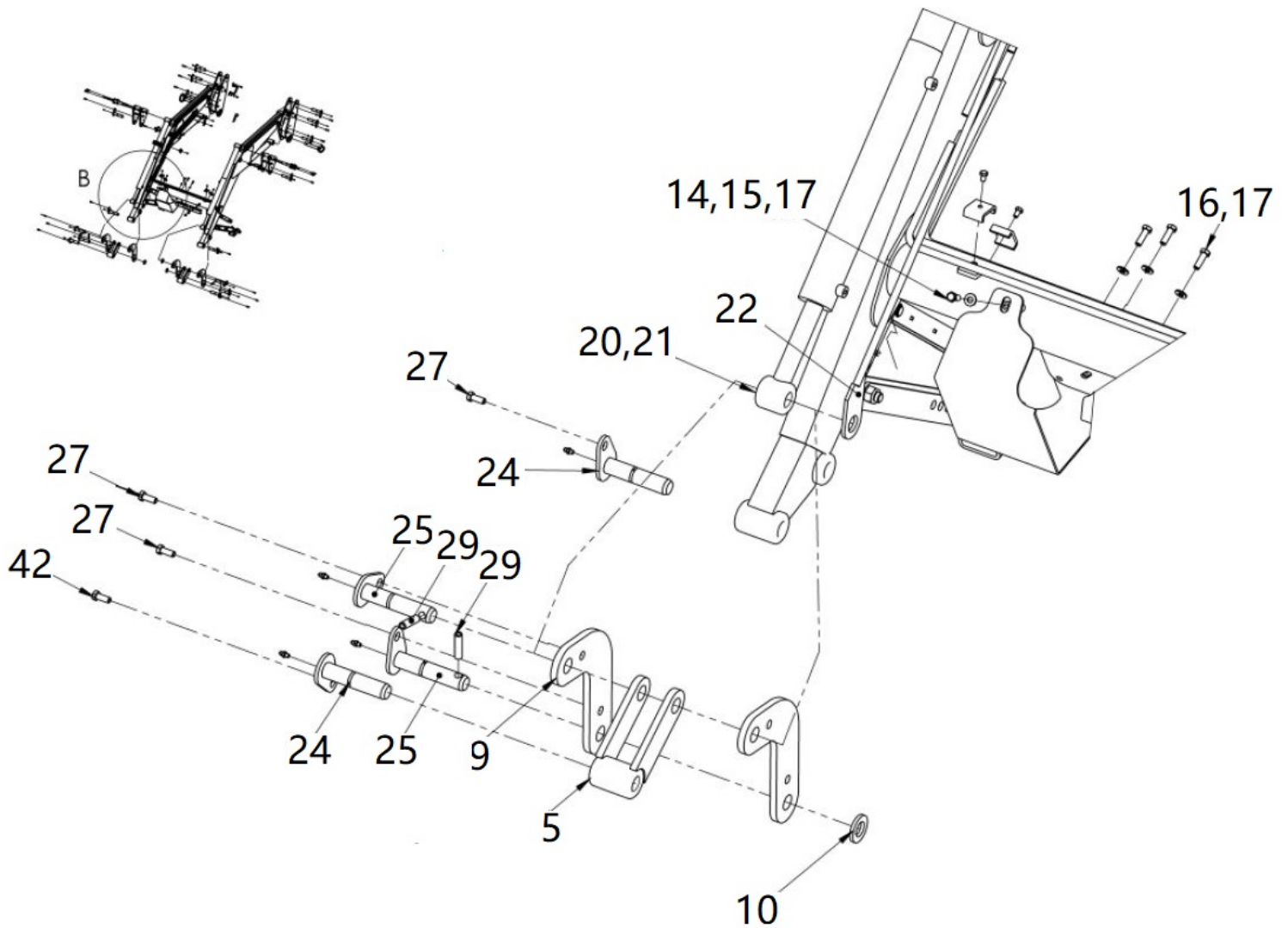


Sr.	Model	Item Code	Description	Qty	Int.	Remarks	Cut Off
1	ALL MODELS	S1130604830	RH POST CAP - HARVEST GREEN	1			
3	ALL MODELS	S1130604832	RH MIDDILE ROCKER - HARVEST GREEN	1			
8	ALL MODELS	S1130604835	RH & LH SL LINK ASSEMBLY 3200 - HARVEST GREEN	2			
24	ALL MODELS	S1130600459	GREASABALE PIN ASSEMBLY 284	16			
26	ALL MODELS	S1130602674	HEX. FLANGE SHOULDER BOLT M8x1.25x30 SEMI THREAD	12			
27	ALL MODELS	S1130602676	HEX. FLANGE SHOULDER BOLT M8x1.25x20 SEMI THREAD	6			
28	ALL MODELS	S1130600554	NYLOC NUT M8x1.25	12			
30	ALL MODELS	S1130600468	CLAMP COVER	7			

Sr.	Model	Item Code	Description	Qty	Int.	Remarks	Cut Off
31	ALL MODELS	S1130600469	HEX. BOLT M6×1×10 SEMI THREAD	7			
33	ALL MODELS	S1130600471	FORGED PIN	2			
34	ALL MODELS	S1130600472	PIN	2			
37	ALL MODELS	S1130602945	LEVEL INDICATOR CLAMP ASSEMBLY	1		INTERCHANGEABLE WITH S1130601343	
37	ALL MODELS	S1130601343	LEVEL INDICATOR CLAMP	1			
38	ALL MODELS	S1130602946	HOSE HOLDER BRACKET	1			
39	ALL MODELS	S1130602947	HEX. BOLT M8×1.25×15 SEMI THREAD	2			
40	ALL MODELS	S1130600466	PLAIN WASHER M8	2			
41	ALL MODELS	S1130600687	SPRING WASHER M8	2			
42	ALL MODELS	S1130602676	HEX. FLANGE SHOULDER BOLT M8×1.25×15 SEMI THREAD	4			
23	ALL MODELS	S1130600461	GREASABALE PIN ASSEMBLY 287	2			

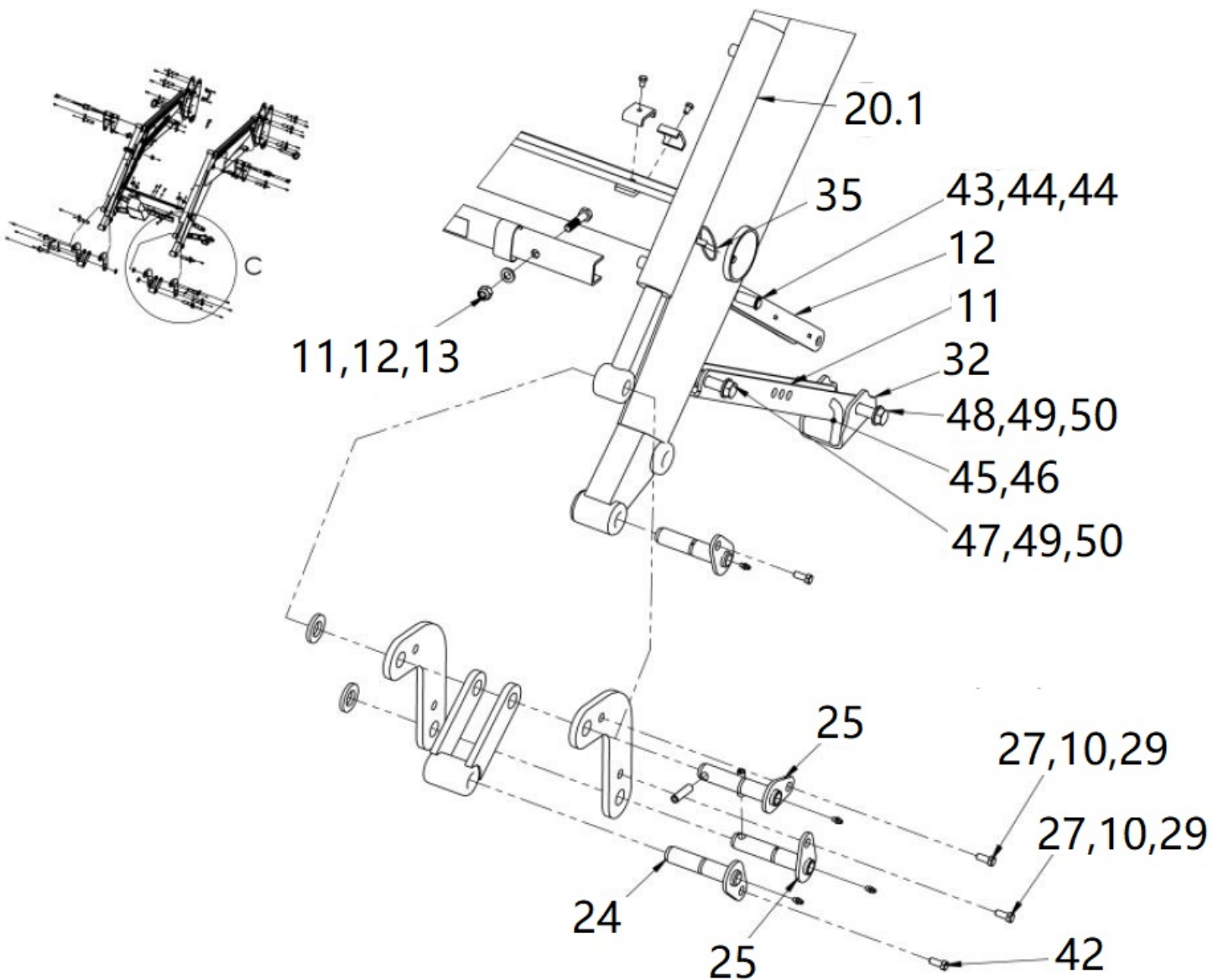


Sr.	Model	Item Code	Description	Qty	Int.	Remarks	Cut Off
2	ALL MODELS	S1130604831	LH POST CAP - HARVEST GREEN	1			
4	ALL MODELS	S1130604833	LH MIDDLE ROCKER - HARVEST GREEN	1			
18	ALL MODELS	S1130604604	LIFT CYLINDER LH & RH (BLACK)	2			
19	ALL MODELS	S1130601263	LIFT CYLINDER SEAL KIT	2			
24	ALL MODELS	S1130600459	GREASABLE PIN ASSEMBLY 284	16			
26	ALL MODELS	S1130602674	HEX. FLANGE SHOULDER BOLT M8x1.25x30 SEMI THREAD	12			
28	ALL MODELS	S1130600554	NYLOC NUT M8x1.25	12			
36	ALL MODELS	S1130600474	GREASE NIPPLE GN14	22			



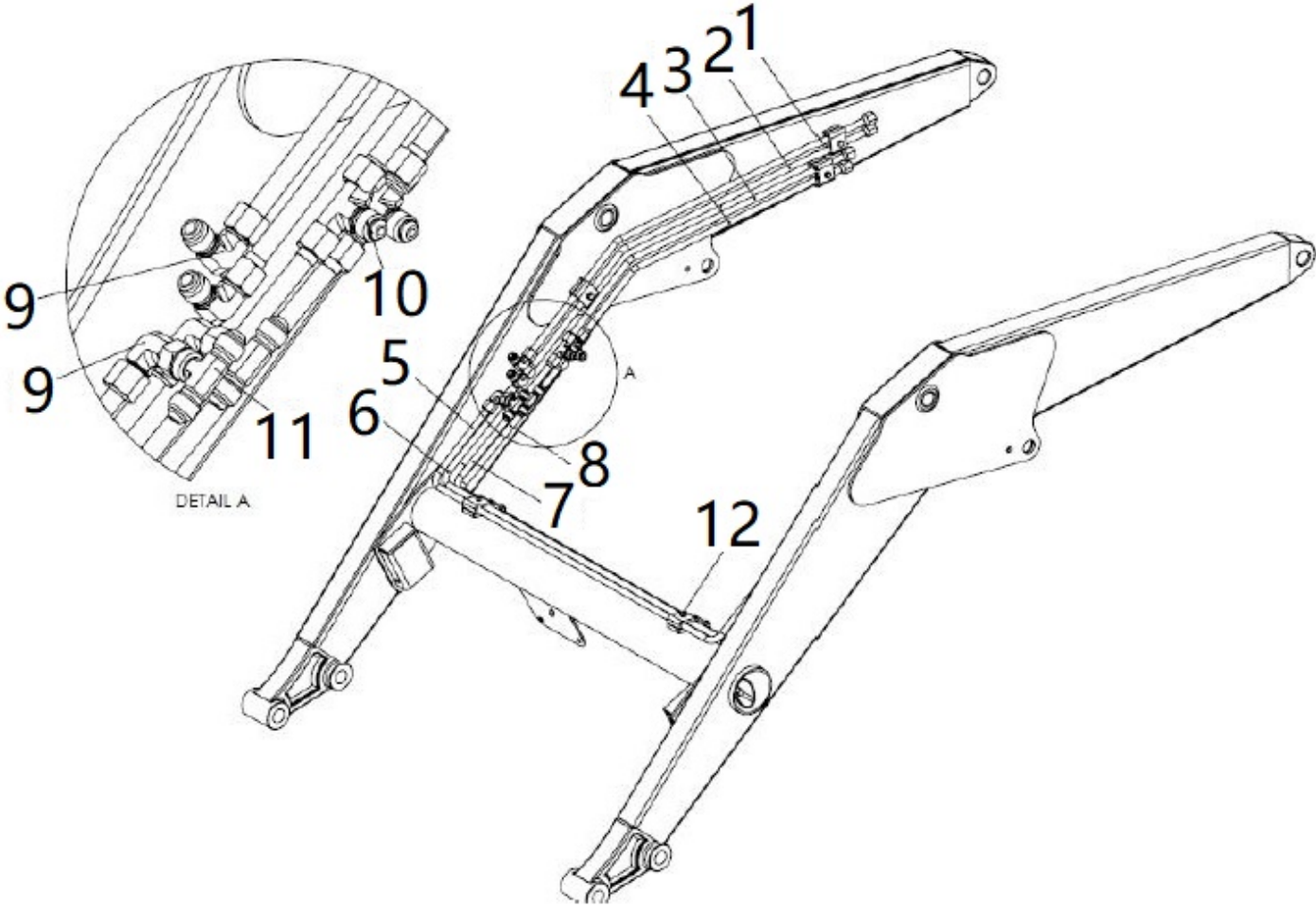
Sr.	Model	Item Code	Description	Qty	Int.	Remarks	Cut Off
5	ALL MODELS	S1130604834	FRONT LINK ASSEMBLY - HARVEST GREEN	2			
9	ALL MODELS	S1130600449	FRONT ROCKER/SIDE PLATE	4			
10	ALL MODELS	S1130600450	SPACER 391	3			
14	ALL MODELS	S1130600621	MANIFOLD COVER	1			
15	ALL MODELS	S1130600464	HEX. BOLT M8x1.25x20 SEMI THREAD	1			
16	ALL MODELS	S1130602674	HEX. FLANGE SHOULDER BOLT M8x1.25x30 SEMI THREAD	3			
17	ALL MODELS	S1130600466	PLAIN WASHER M8	4			
21	ALL MODELS	S1130601263	TILT CYLINDER SEAL KIT	2			
22	ALL MODELS	S1130600457	LEVEL INDICATOR ASSEMBLY	1			

Sr.	Model	Item Code	Description	Qty	Int.	Remarks	Cut Off
24	ALL MODELS	S1130600459	GREASABALE PIN ASSEMBLY 284	16			
25	ALL MODELS	S1130600460	GREASABALE PIN ASSEMBLY 297	4			
27	ALL MODELS	S1130602676	HEX. FLANGE SHOULDER BOLT M8x1.25x20 SEMI THREAD	6			
29	ALL MODELS	S1130600006	SPRING DOWEL	4			
42	ALL MODELS	S1130602676	HEX. FLANGE SHOULDER BOLT M8x1.25x15 SEMI THREAD	4			



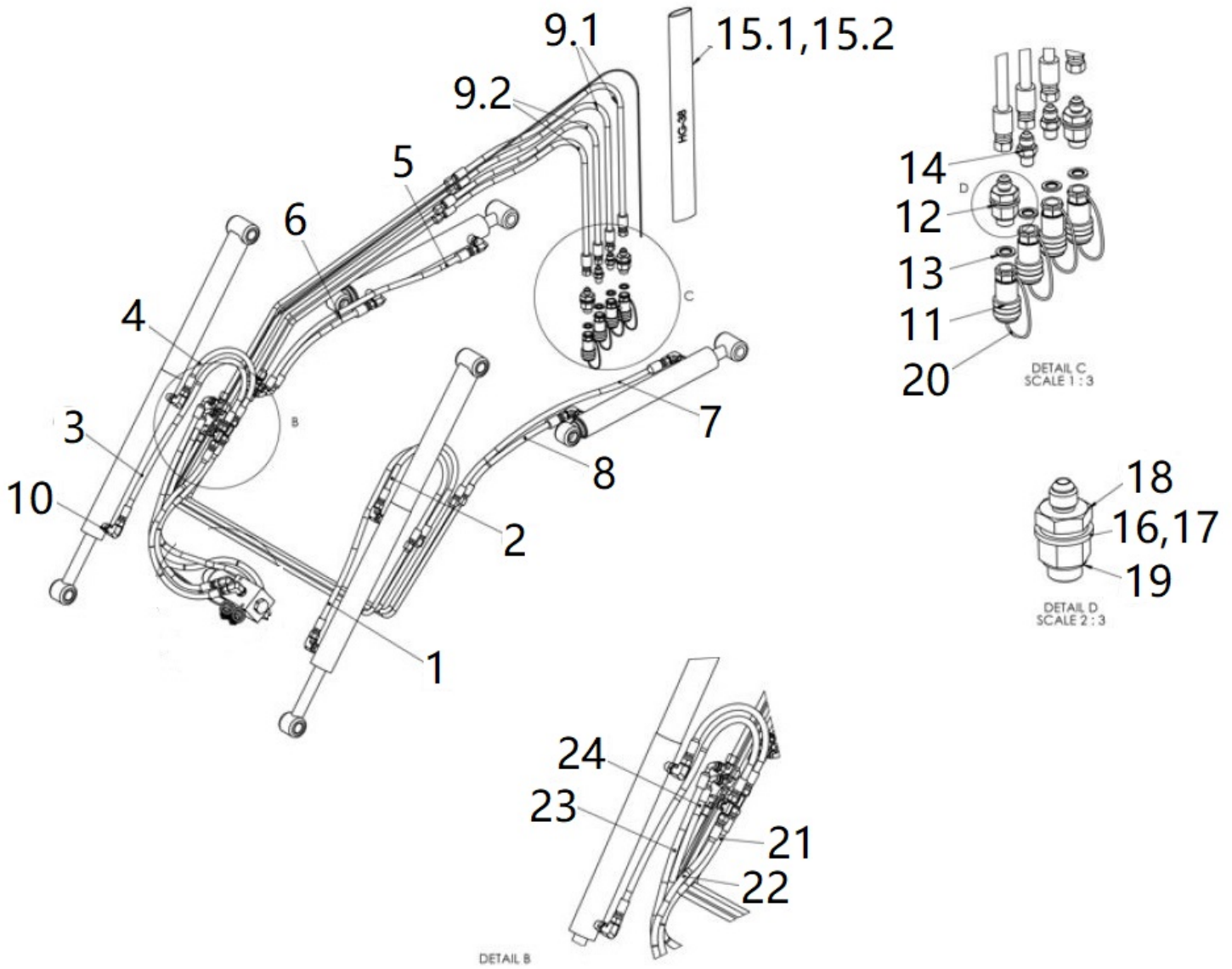
Sr.	Model	Item Code	Description	Qty	Int.	Remarks	Cut Off
10	ALL MODELS	S1130600450	SPACER 391	3			
11	ALL MODELS	S1130604836	PROP ASSEMBLY - HARVEST GREEN	1			
12	ALL MODELS	S1130600452	NYLOC NUT M10x1.5	1			
13	ALL MODELS	S1130600453	PLAIN WASHER M10	1			
20.1	ALL MODELS	S1130604603	TILT CYLINDER (Black)	2			
24	ALL MODELS	S1130600459	GREASABALE PIN ASSEMBLY 284	16			
25	ALL MODELS	S1130600460	GREASABALE PIN ASSEMBLY 297	4			
27	ALL MODELS	S1130602676	HEX. FLANGE SHOULDER BOLT M8x1.25x20 SEMI THREAD	6			

Sr.	Model	Item Code	Description	Qty	Int.	Remarks	Cut Off
29	ALL MODELS	S1130600006	SPRING DOWEL	4			
32	ALL MODELS	S1130604316	LEG END PLATE	2			
35	ALL MODELS	S1130600473	LYNCH PIN	2			
42	ALL MODELS	S1130602676	HEX. FLANGE SHOULDER BOLT M8x1.25x15 SEMI THREAD	4			
43	ALL MODELS	S1130604317	LEG CONNECTING PIN	2			
44	ALL MODELS	S1130604318	CIRCLIP-471014	4			
45	ALL MODELS	S1130604319	LEG CONNECTING ROD	2			
46	ALL MODELS	S1130600473	LYNCH PIN	2			
47	ALL MODELS	S1130604320	HEX. BOLT M14x2x75 SEMI THREAD	2			
48	ALL MODELS	S1130604321	HEX. BOLT M14x2x90 SEMI THREAD	2			
49	ALL MODELS	S1130604322	M14 PLAIN WASHER	2			
50	ALL MODELS	S1130604323	M14 NYLOC NUT	2			



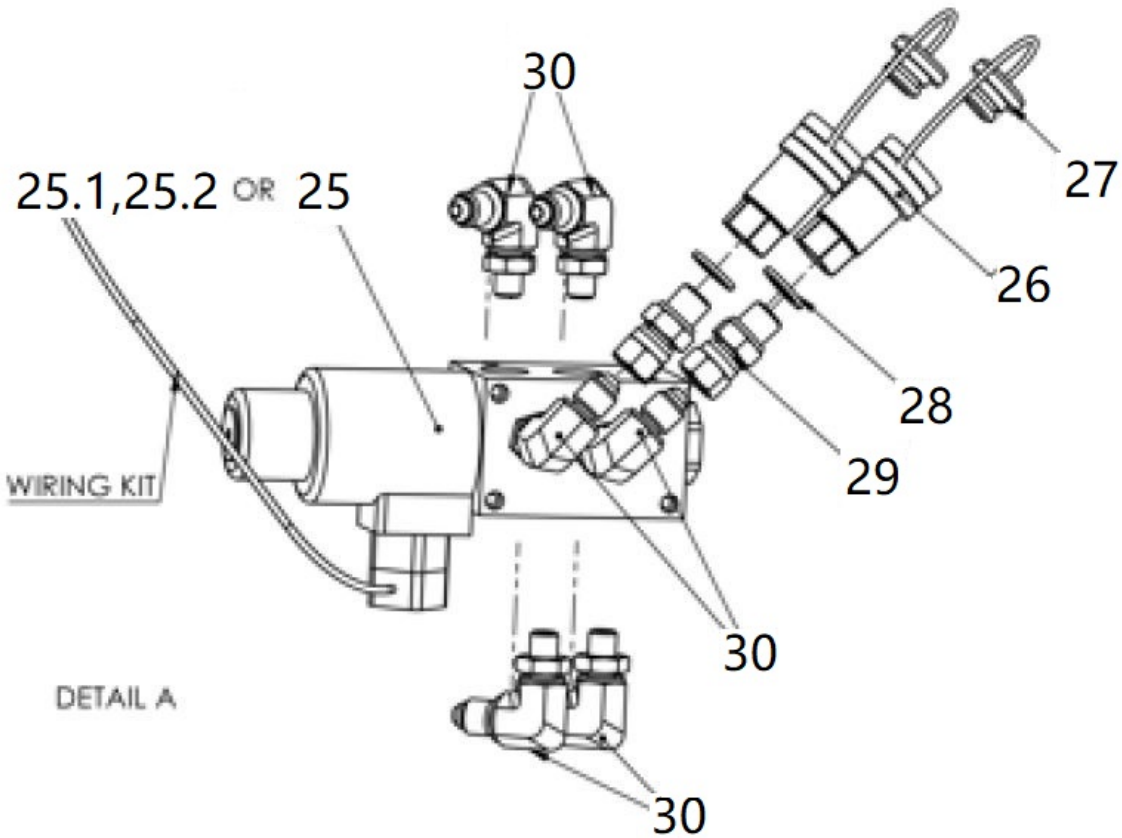
Sr.	Model	Item Code	Description	Qty	Int.	Remarks	Cut Off
1	ALL MODELS	S1130600496	CROWD PIPE 131	0			
1	ALL MODELS	S1130600623	CROWD PIPE 146	1			
2	ALL MODELS	S1130600497	DUMP PIPE 132	0			
2	ALL MODELS	S1130600626	DUMP PIPE 147	1			
3	ALL MODELS	S1130600498	LOWER PIPE 133	1			
4	ALL MODELS	S1130600499	RAISE PIPE 134	1			
5	ALL MODELS	S1130600500	CROWD PIPE 127	1			
6	ALL MODELS	S1130600501	DUMP PIPE 128	1			

Sr.	Model	Item Code	Description	Qty	Int.	Remarks	Cut Off
7	ALL MODELS	S1130600502	LOWER PIPE 129	1			
8	ALL MODELS	S1130600503	RAISE PIPE 130	1			
9	ALL MODELS	S1130600008	0909 JICM JICM ELBOW	4			
10	ALL MODELS	S1130600487	9/16"JICM 9/16" JICM 9/16"JICM TEE	2			
11	ALL MODELS	S1130602948	090909 JICM JICM JIC FEMALE TEE	2			
12	ALL MODELS	S1130600468	CLAMP COVER	11			

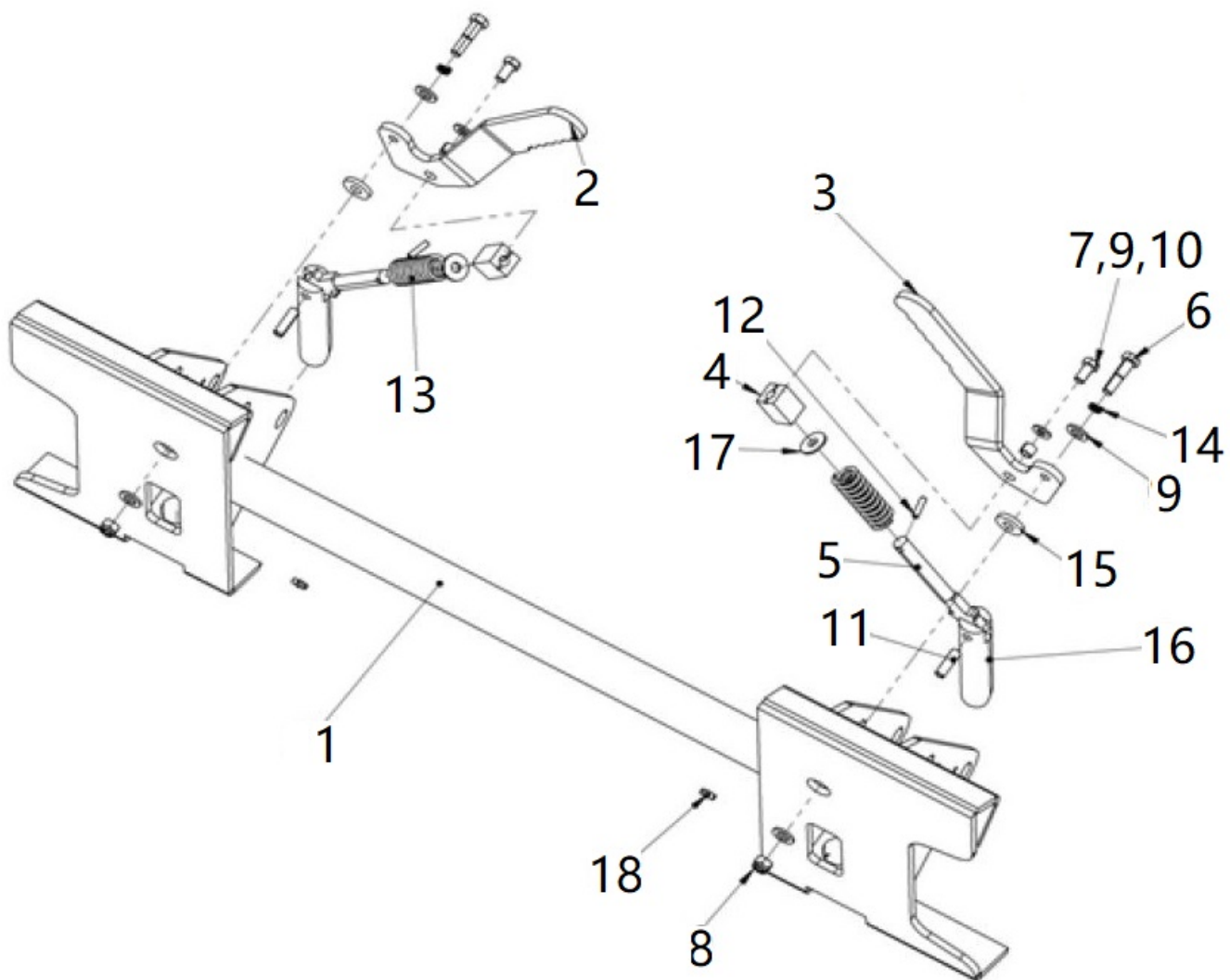


Sr.	Model	Item Code	Description	Qty	Int.	Remarks	Cut Off
1	ALL MODELS	S1130600475	HOSE H225-700MM CUT LENGTH	1			
2	ALL MODELS	S1130600476	HOSE H226-400MM CUT LENGTH	1			
3	ALL MODELS	S1130600477	HOSE H227-700MM CUT LENGTH	1			
3	ALL MODELS	S1130602949	HOSE T227-700MM CUT LENGTH	1			
4	ALL MODELS	S1130600478	HOSE H228-400MM CUT LENGTH	1			
4	ALL MODELS	S1130602950	HOSE T228-400MM CUT LENGTH	1			
5	ALL MODELS	S1130600479	HOSE H229-620MM CUT LENGTH	1			
6	ALL MODELS	S1130600480	HOSE H230-300MM CUT LENGTH	1			

Sr.	Model	Item Code	Description	Qty	Int.	Remarks	Cut Off
7	ALL MODELS	S1130600481	HOSE H231-620MM CUT LENGTH	1			
8	ALL MODELS	S1130600482	HOSE H232-300MM CUT LENGTH	1			
9.1	ALL MODELS	S1130602695	HOSE H233A-1150MM CUT LENGTH	2			
9.1	ALL MODELS	S1130602696	HOSE H233B-1200MM CUT LENGTH	2			
10	ALL MODELS	S1130600484	9/16" JIC M 1/4" BSPPOM NW 90? ELBOW	8			
11	ALL MODELS	S1130600489	3/8" BSPPF FEMALE QRC /POPPET	4			
12	ALL MODELS	S1130600113	ORIFICE ADAPTOR ASSY	2			
13	ALL MODELS	S1130600492	06 DOWTY SEAL	4			
14	ALL MODELS	S1130600485	3/8" BSPPOM 9/16"JICM NIPPLE	4			
15.1	ALL MODELS	S1130602697	WOVEN NYLON HOSE GUARD -1150 mm Lg	2			
15.2	ALL MODELS	S1130602698	WOVEN NYLON HOSE GUARD -1200 mm Lg	2			
16	ALL MODELS	S1130600493	08 DOWTY SEAL	2			
17	ALL MODELS	S1130600494	ORIFIC E PLATE 1.2MM HOLE DRILL	2			
18	ALL MODELS	S1130600486	1/2" MALE BSPP 9/16" MALE JIC	2			
19	ALL MODELS	S1130600488	3/8" MALE BSPP 1/2" FEMALE BSPP	2			
20	ALL MODELS	S1130600490	RUBBER DUST PLUG	4			
21	ALL MODELS	S1130602951	HOSE T234-370MM CUT LENGTH	1			
22	ALL MODELS	S1130602952	HOSE T235-390MM CUT LENGTH	1			
23	ALL MODELS	S1130602953	HOSE T236-655MM CUT LENGTH	1			
24	ALL MODELS	S1130602954	HOSE T237-580MM CUT LENGTH	2			

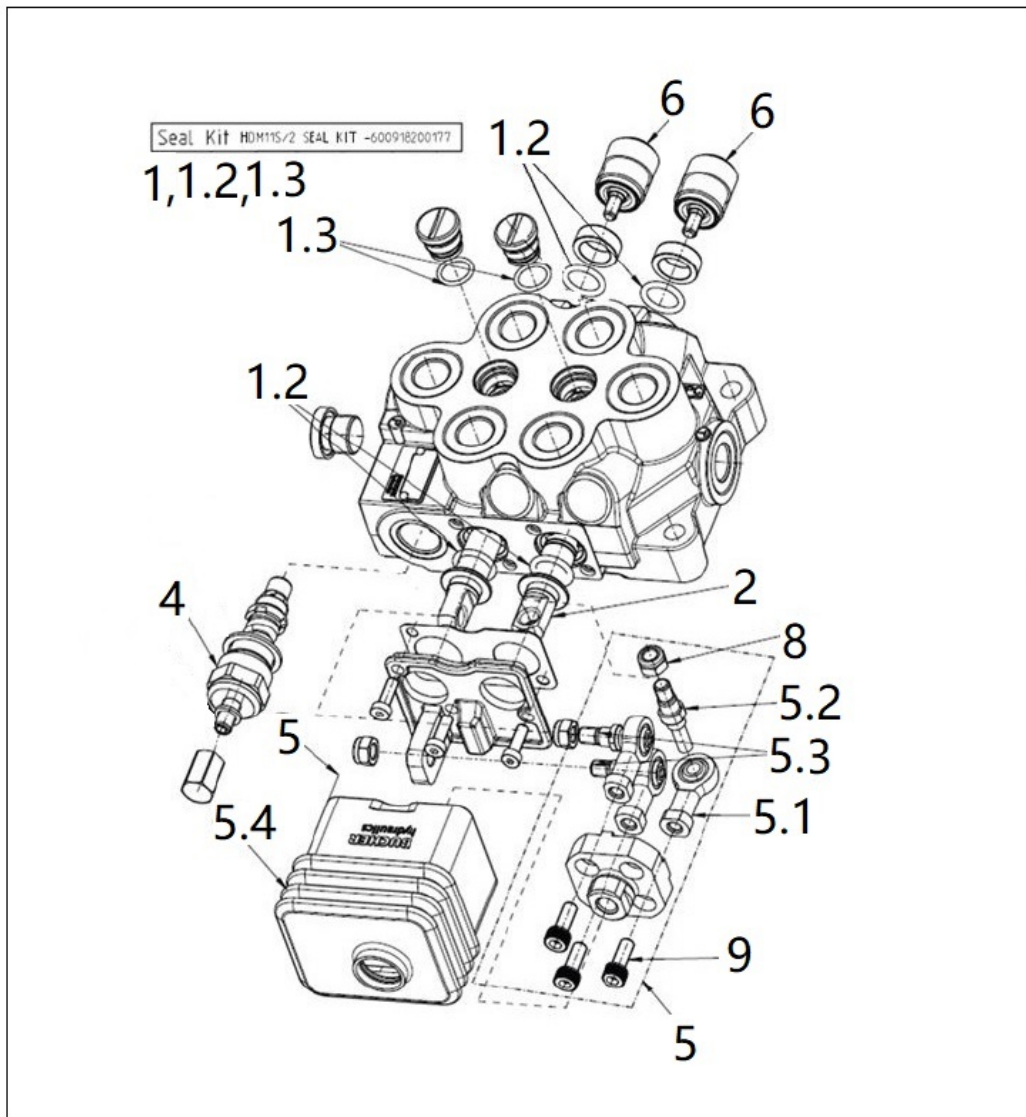


Sr.	Model	Item Code	Description	Qty	Int.	Remarks	Cut Off
25	ALL MODELS	S1130600646	DIVERTER VALVE - DFE 80	1			
25.1	ALL MODELS	S1130602960	DIVERTER VALVE - Hydro kit	1			
25.2	ALL MODELS	S1130602961	0409 BSPPOM JICM NIPPLE	3			
26	ALL MODELS	S1130600489	3/8" BSPPF FEMALE QRC/POPPET	2			
27	ALL MODELS	S1130600490	RUBBER DUST PLUG	2			
28	ALL MODELS	S1130600492	06 DOWTY SEAL	2			
29	ALL MODELS	S1130600647	3/8"BSPPOM & 9/16 " JIC FEMALE ADAPTER	2			
30	ALL MODELS	S1130600010	3/8" BSPPOM 9/16"JICM 90° ELBOW	6			



Sr.	Model	Item Code	Description	Qty	Int.	Remarks	Cut Off
1	ALL MODELS	S1130604840	SKID STEER- HARVEST GREEN	1			
2	ALL MODELS	S1130604838	HANDLE RH- HARVEST GREEN	1			
3	ALL MODELS	S1130604839	HANDLE LH- HARVEST GREEN	1			
4	ALL MODELS	S1130600507	PIVOT BLOCK	2			
5	ALL MODELS	S1130600508	CONNECTIG ROD	2			
6	ALL MODELS	S1130600509	HEX. BOLT M10x1.5x45	2			
7	ALL MODELS	S1130600510	HEX. BOLT M10x1.5x20	2			
8	ALL MODELS	S1130600452	NYLOC NUT M10x1.5	2			
9	ALL MODELS	S1130600453	PLAIN WASHER M10	6			

Sr.	Model	Item Code	Description	Qty	Int.	Remarks	Cut Off
10	ALL MODELS	S1130600513	PIPE WASHER H11	2			
11	ALL MODELS	S1130600514	DOWEL Ø10x32	2			
12	ALL MODELS	S1130600515	DOWEL Ø6x25	2			
13	ALL MODELS	S1130600516	SPRING	2			
14	ALL MODELS	S1130600517	DOUBLE HELICAL WASHER M12	2			
15	ALL MODELS	S1130600518	FRICITION PAD	2			
16	ALL MODELS	S1130600519	WEDGE PIN	2			
17	ALL MODELS	S1130600520	CUP WASHER	2			
18	ALL MODELS	S1130600474	GREASE NIPPLE GN14	2			

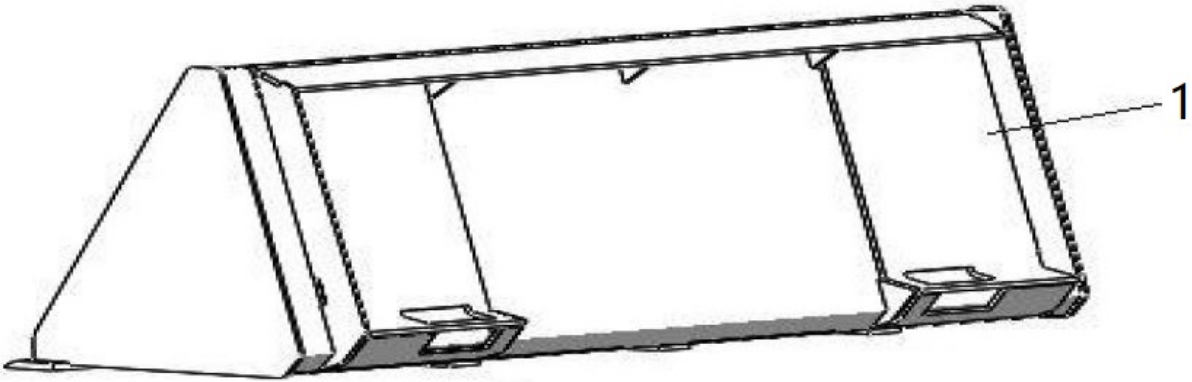


Sr.	Model	Item Code	Description	Qty	Int.	Remarks	Cut Off
1	ALL MODELS	S1130603891	Seal Kit HD11S/2	1			
2	ALL MODELS	S1130600887	"A" Spool HDM11	1			
4	ALL MODELS	S1130600888	VM01 95-210 Bar Relief valve	1			
5	ALL MODELS	S1130600890	L247 HDM11S Joystick Assy	1			
5.1	ALL MODELS	S1130602682	SPHERICAL BEARING M6	1			
5.2	ALL MODELS	S1130602681	FULCRUM PIN 2nd SPOOL	1			
5.3	ALL MODELS	S1130601308	FULCRUM PIN + BEARING	2			
5.4	ALL MODELS	S1130600443	Rubber Boot	1			

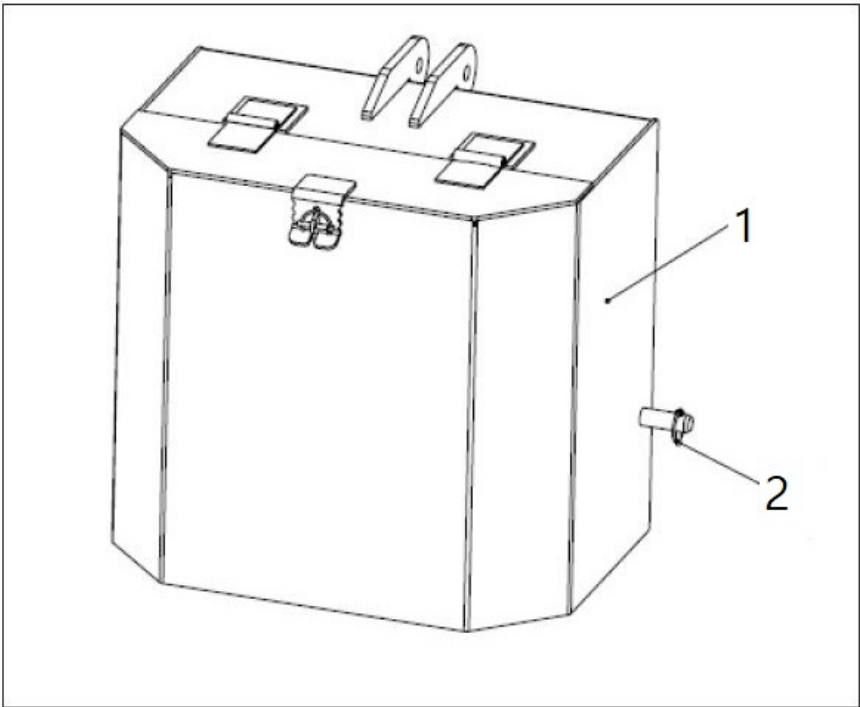
Sr.	Model	Item Code	Description	Qty	Int.	Remarks	Cut Off
6	ALL MODELS	S1130600889	POSITIONER "01"	1			
8	ALL MODELS	S1130603314	HEX NUT M7X1	3			
9	ALL MODELS	S1130603890	ALLEN BOLT M6X16	3			
10	ALL MODELS	S1130603272	Loder DCV with Float Option	1			

11110A-1-1

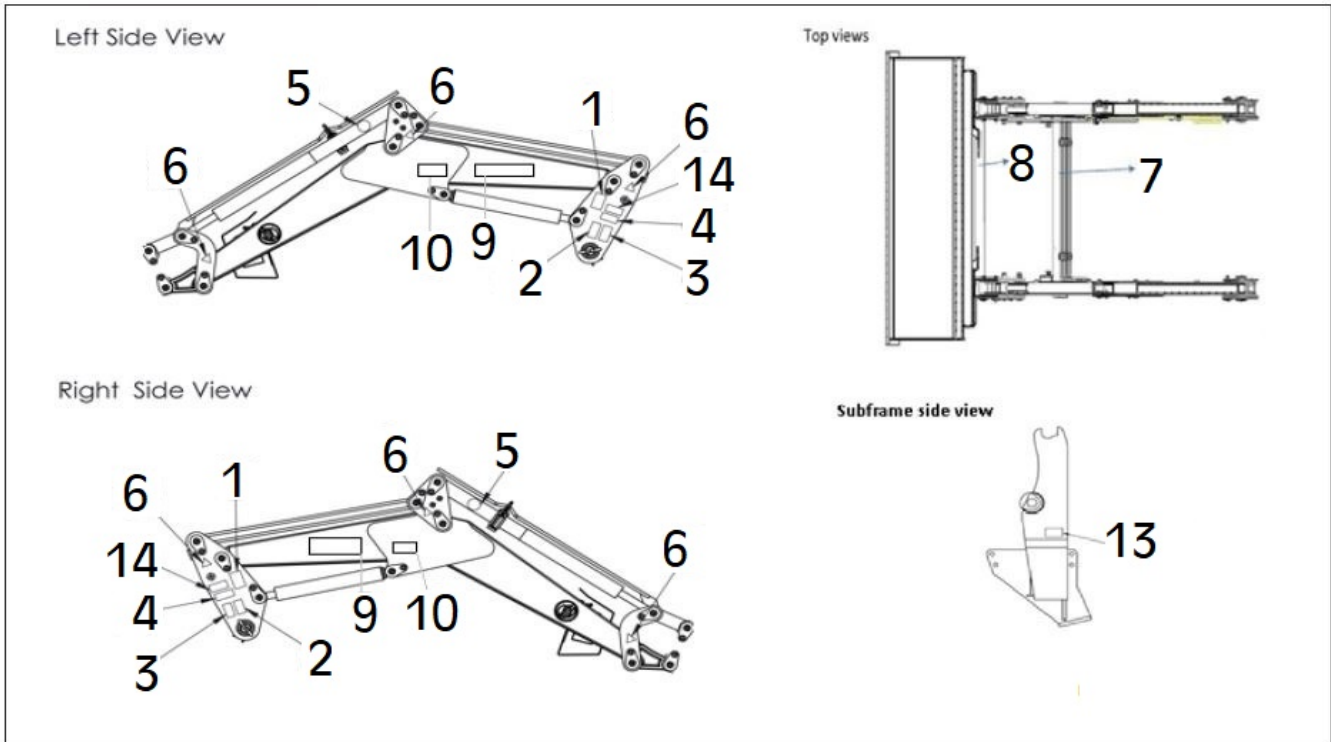
SKID STEER BUCKET LX85 FRONT END LOADER



Sr.	Model	Item Code	Description	Qty	Int.	Remarks	Cut Off
1	ALL MODELS	S1130600896	50" SKID STEER STANDARD BUCKET	1			



Sr.	Model	Item Code	Description	Qty	Int.	Remarks	Cut Off
1	ALL MODELS	S1130601325	300 KG COUNTERWEIGHT	1			
2	ALL MODELS	S1130601306	LYNCH PIN LP 06	2			



Sr.	Model	Item Code	Description	Qty	Int.	Remarks	Cut Off
1	ALL MODELS	S1130600575	C RUSHING HAZARD LABEL STIC KER	1			
2	ALL MODELS	S1130600576	C ARRY PASSENGER LABEL STIC KER	1			
3	ALL MODELS	S1130600577	READ THE OPERATOR MANUAL LABEL STIC KER	1			
4	ALL MODELS	S1130600578	STAY C LEAR OF RAISED LOADER LABEL STIC KER	1			
5	ALL MODELS	S1130600579	LIFTING POINT LABEL STIC KER	1			
6	ALL MODELS	S1130600580	PINC H POINT LABEL STIC KER	1			
7	ALL MODELS	S1130600581	WARNING STIC KER	1			
8	ALL MODELS	S1130600582	WARNING LABEL STIC KER	1			

Sr.	Model	Item Code	Description	Qty	Int.	Remarks	Cut Off
9	ALL MODELS	S1130602955	SUMMIT STIC KER	1			
10	ALL MODELS	S1130602956	LX85	1			
11	ALL MODELS	S1130600585	LOADER MOVEMENTS DIREC TION STIC KER	1		NOT SHOWN	
12	ALL MODELS	S1130604285	THIRD FUNC TION(WITH FLOAT) STIC KER	1		NOT SHOWN	
13	ALL MODELS	S1130601318	TORQUE WARNING STIC KER	1			
14	ALL MODELS	S1130602957	WARNING STIC KER C P65	1			